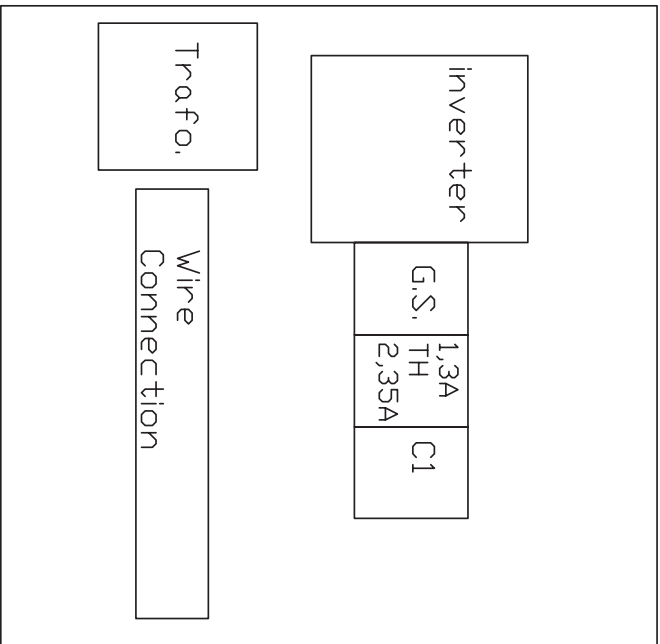
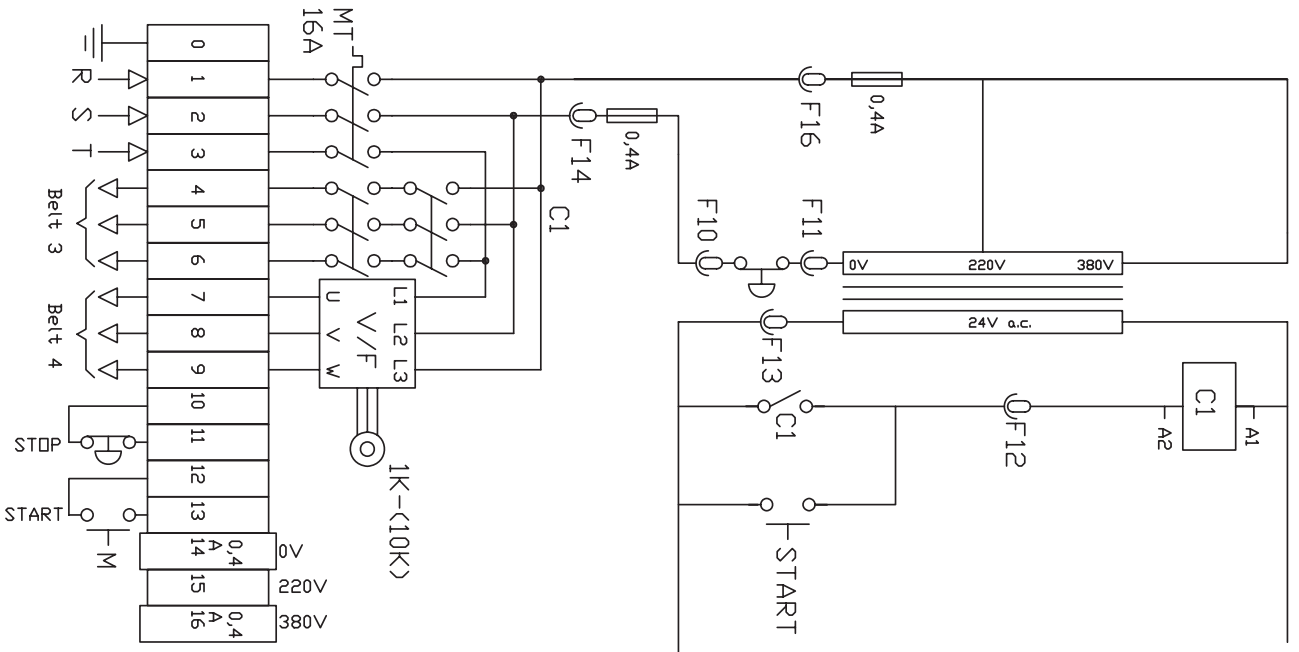


8. ELECTRIC LAYOUT



BAND ROUNDER